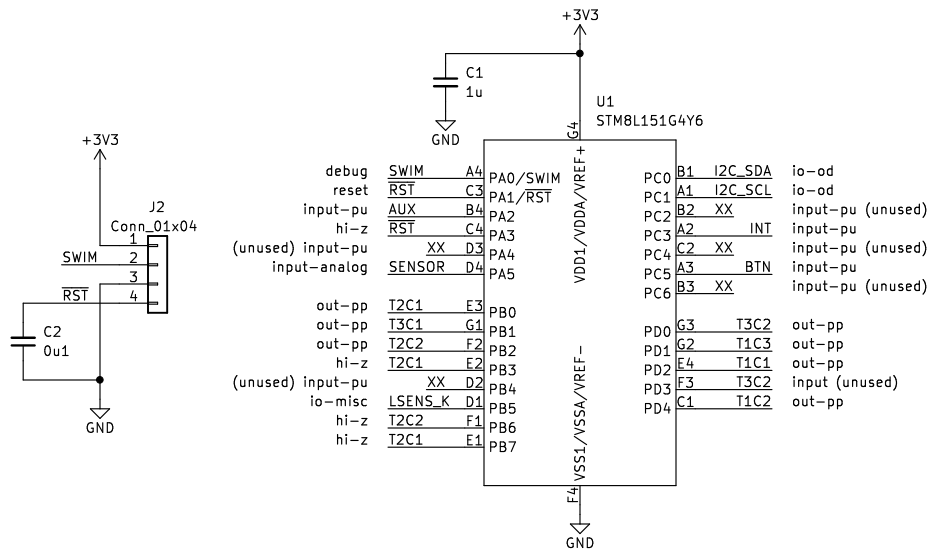
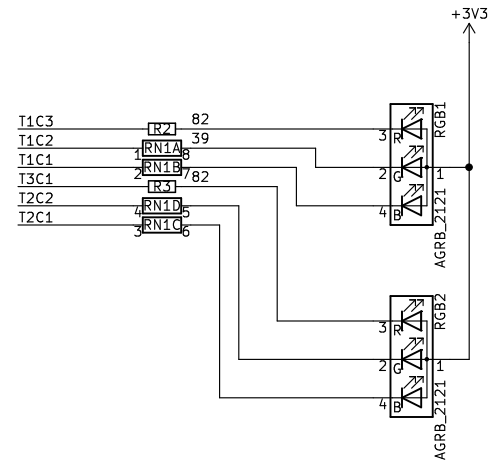


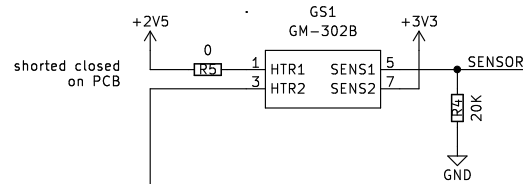
## Microcontroller



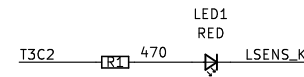
## LEDs



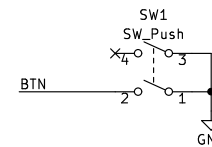
## Ethanol Sensor



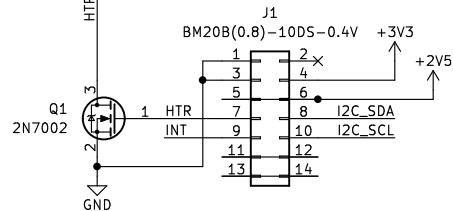
## Light Sense & Status



## Button



## Board to Board



### Changelog

- REV1
  - initial
- REV2
  - simplified
  - added aux pad
  - added silk
  - ready for proto
- REV3
  - added joiners to unused wlcsp pads to help adhesion
  - added notes for each pin in the schematic
  - fixed trace routing to top led resistor
  - added cap to reset circuit
  - changed resistor designators
- REV4
  - flip board to board connector assignments top to bottom
  - added debug pads

trueControl

Sheet: /  
File: boozebadge\_corkboard\_REV4.kicad\_sch

**Title: whiskey pirates 2022 badge - Cork Board**

Size: USLetter Date: 2022-07-04  
KiCad E.D.A. kicad (6.0.5)

Rev: REV2  
Id: 1/1