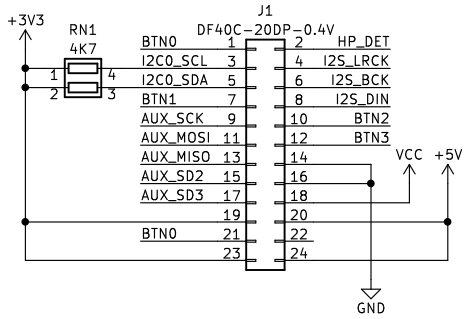
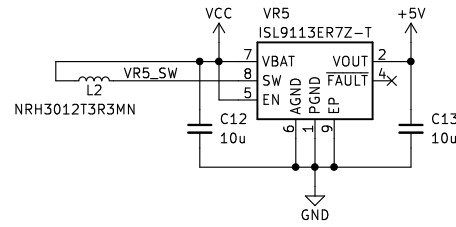


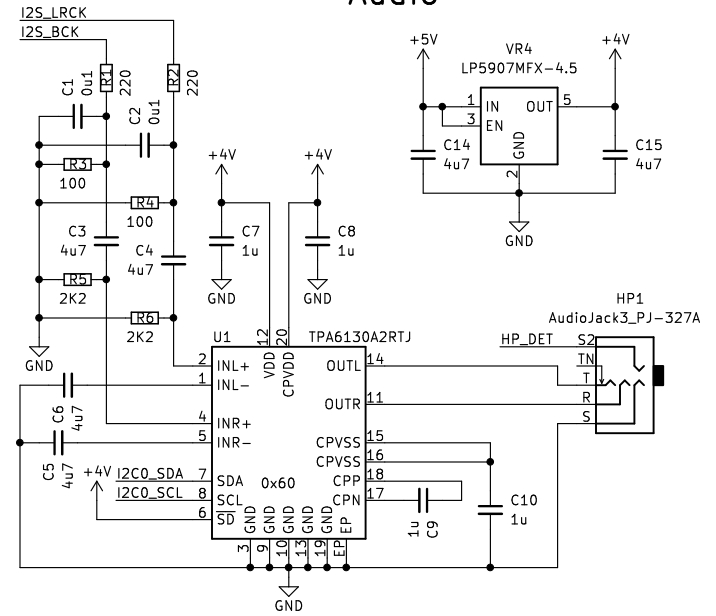
Board to Board Connection



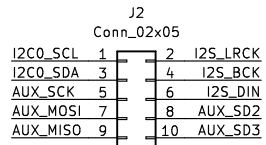
GAT In 3V3 to 5V



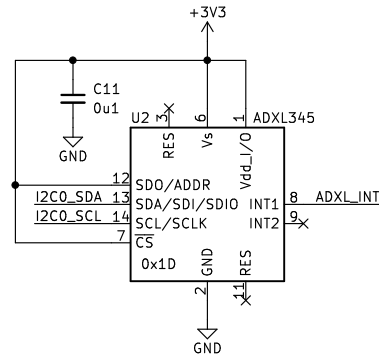
Audio



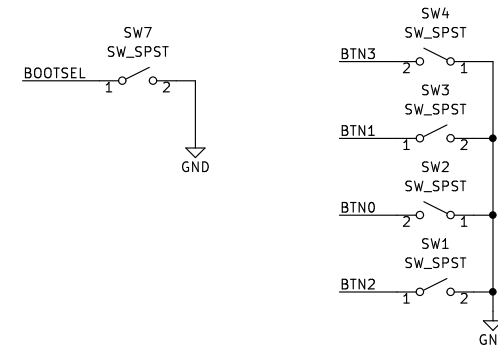
Controller Connection



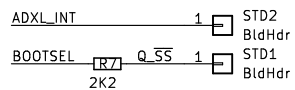
Accelerometer



Buttons



Changelog:
 REV1:
 - initial
 REV2:
 - real initial
 REV3:
 - top layer 0402 now 0603
 - fixed wrong enable signal on hp amp



\$Id: microdoom_sub_REV3.kicad_sch 534 2022-06-06 09:00:18Z true \$

trueControl

Sheet: /
 File: microdoom_sub_REV3.kicad_sch

Title: true's microdoom gat addon badge - sub board

Size: USLetter Date: 2022-06-01
 KiCad E.D.A. kicad (6.0.5)

Rev: REV3
 Id: 1/1